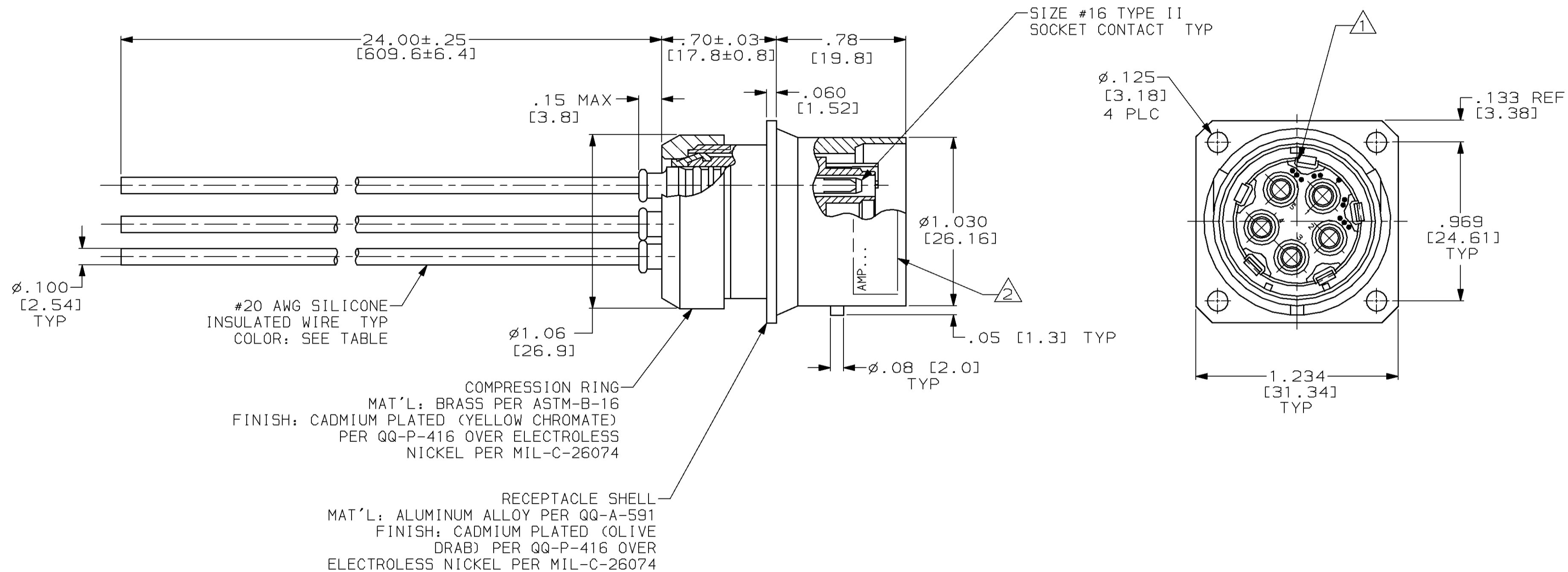


THIS DRAWING IS UNPUBLISHED. RELEASED FOR PUBLICATION
 © COPYRIGHT 19 BY AMP INCORPORATED. ALL RIGHTS RESERVED.

LOC		DIST		REVISIONS			
P	LTR	DESCRIPTION		DATE	DWN	APVD	
E		REV & REDRAWN; 0600-5878-96		11-96	CT	CS	

WIRING TABLE	
POSITION NO.	WIRE COLOR
1	BROWN
2	RED
3	ORANGE
4	YELLOW
5	GREEN



- 1 TRIPLE DOT FOR NORMAL POLARIZATION LOCATED UNDER MAJOR KEYWAY.
- 2 AMP INFO MARKED PER MIL-STD-130.
- 3. MAXIMUM MOUNTING PANEL THICKNESS: .100 [2.54].
- 4. WORKING VOLTAGE IS 4.5 KVDC MAX WHEN PROPERLY MATED.

863983-1
 PART NO.

THIS DRAWING IS A CONTROLLED DOCUMENT.

DWN	C. C. THOMAS	11-18-96
CHK	C. SHELLY	11-19-96
APVD	C. SHELLY	11-19-96

AMP AMP Incorporated
 Harrisburg, PA 17105-3608

NAME: CABLE ASSY, 5 POSN, LGH

SIZE	A2	CAGE CODE	00779	DRAWING NO	C-863983	RESTRICTED TO	-
SCALE	2:1	SHEET	1	OF	1	REV	E

CUSTOMER DRAWING